

BRAAIS FIREPLACES REIMAGINED



Signi  Fires™

Wood and Gas Braais

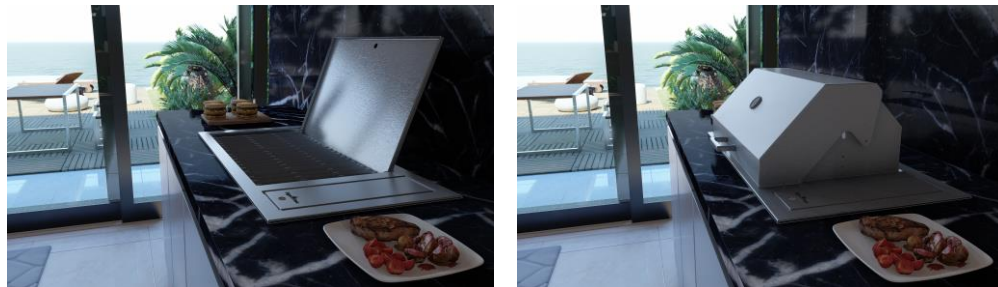


1200 Gas Braai

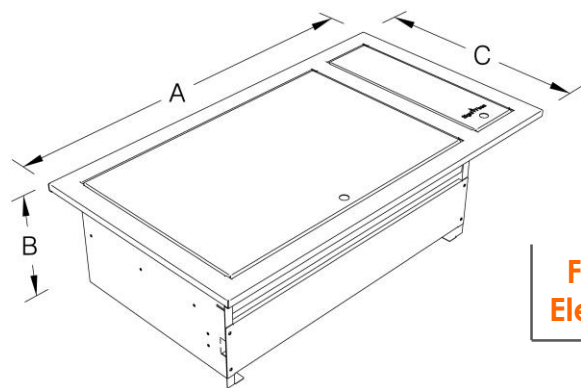


1400 Combo Braai

Drop In Gas Braai



- Angled grids with fat trap
- Closing lid standard
- Optional cooking dome
- Ceramic Sear burner for larger sizes
- Grids fit into most dishwashers
- Made in RSA
- No 430 s/steel or 3cr12 parts used



Full 304 & 316 s/steel body
Electro polished s/steel grids

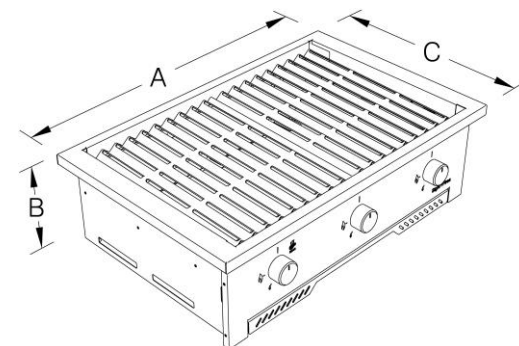
	A	B	C	Line Burners
770	770	254	535	4
950	950	254	535	4 + S
1150	1150	254	535	6 + S
1350	1350	254	535	8 + S

S = Sear Burner / 1 x U Burner = 2 x Line Burner

Griller Insert Gas Braai



1170 Gas Griller



Superior Quality
Superior Craftmanship

	A	B	C	Line Burners
390	390	234	495	2
590	590	234	495	4
770	770	234	495	4 + S
970	970	234	495	6 + S
1170	1170	234	495	8 + S
1370	1370	234	495	10 + S

S = Sear Burner / 1 x U Burner = 2 x Line Burner

Insert Wood and Gas Braai

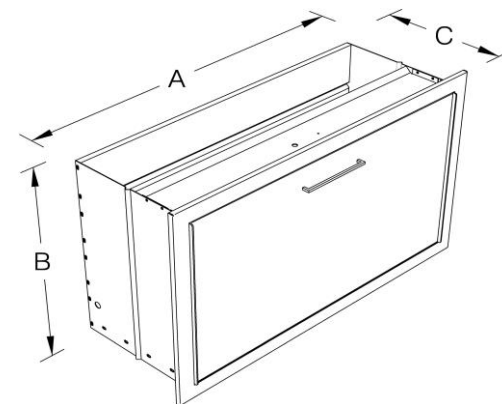
- Simple installation – no pipes or gaster required
- Door slides under braai and doubles as workspace
- No welding on body / easy to replace panels
- 12mm Solid stainless steel ember maker
- Unique grid design for easy height adjustment
- Optional doors for below braai
- Superior quality with utmost attention to detail
- 3mm Solid stainless steel fascia – no welding on face

Modular system

1. Choose body size
2. Choose gas or wood insert module
3. Choose grade of stainless steel



1200 Gas Braai



	A	B	C	* Min Chimney
800	920	941	590	350*450
1000	1120	941	590	350*450
1200	1320	941	590	350*450
1400	1520	941	590	350*450
1600	1720	941	590	350*550
1800	1920	941	590	350*650
2000	2120	941	590	350*650

*Minimum brick chimney internal opening size.

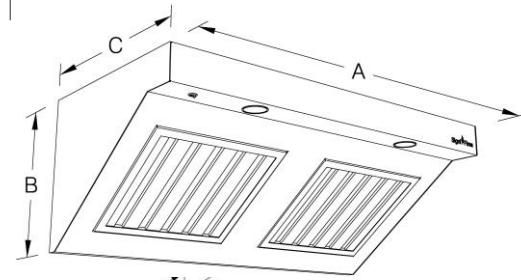


1400 Wood Braai

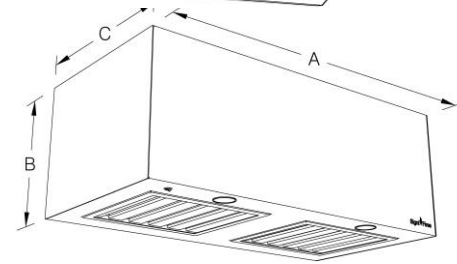
Insert Combo Braai



Extractor for Gas Braai



	A	B	C
800	800	451	610
1200	1200	451	610
1600	1600	451	610



	A	B	C
800	800	451	610
1200	1200	451	610
1600	1600	451	610

Choose between an angled or square extractor hood. Comes standard with lights. Pipes and motor priced separately. For gas braais only.

Why choose one? When you can have Gas and Wood...

- Same body sizes as gas and wood insert braais
- Components are modular – You choose what size braai body and wood and gas modules you prefer
- Cooker dome and rotisserie options
- Braai fast and slow with high and low heat , all at the same time.
- The perfect braai made in South Africa for South Africa.

