



1500 Gas Spit Braai in 304 Stainless Steel



**FIREFOX**

IGNITING PASSION. EMBRACING EXCELLENCE.







## INTRODUCTION



Firefox is a premium manufacturer, supplier and distributor of bespoke fireplaces, braais and extraction systems. With over three decades of experience in this industry, our reputation to produce only the finest systems precedes us. Our design philosophy is expressed in every unit we supply. We take pride in listening to our clients' needs and requirements, and take care to satisfy these in our range of products. The Firefox team is single-minded in their quest to produce products that are easy to use, stylish, highly efficient and built to last, with locally available spares where required. Our three product ranges are Firefox, Infiniti Fires and Multibraai.

In this brochure we're showcasing the following ranges:

- Built-In Braais operating off charcoal/wood or gas
- Canopy and Filter Frame Extraction Systems
- Counter Top, Drop In, Trolley and Drum Gas Braais
- Gas Cylinder Cages

We're particularly pleased to show you the following new products:

- Our new Multifunction Built-In Braai, offering a range of design options and ease of packaging previously unseen in South African Braais
- Our new Roasting Dome that fits our No 2 and 3 Counter Top, Drop In and Trolley Braai units
- Our Island Style Extraction Canopy
- Improvements to our legendary H Burner, which we've converted from cast iron to heavy gauge 304 Stainless Steel, thereby facilitating reduced burner cleaning and a longer burner life

Whatever your braai, extraction or home heating requirements, we're confident you'll find the ideal solution in our product ranges. We look forward to being of service to you.





## CHARCOAL/WOOD DELUXE BUILT-IN BRAAI

Our Deluxe Braais come as standard in mild steel painted black, with an ember maker, charcoal tray c/w ash hole, cover, ash cleaning drawer, warming drawer, dual doors, light fitting, potjie hook & poker.

The ember maker is great at lighting the charcoal/wood much quicker than starting it in the charcoal tray, and enables lit charcoal to be fed into the charcoal tray, allowing continuous cooking when catering for big numbers.

Available in 1200 mm or 1500 mm widths.

## SPIT BRAAI

Our Spit Braais have the same standard features as our Deluxe Braais with in addition a motor compartment, housing a 220 v motor and switches for the motor & light. Supplied with a Stainless Steel spit and skewers capable of handling carcass weights up to 50 kg. When not being used as a Spit Braai, the unit can be used for conventional braaiing.

## GAS SPIT BRAAI

Our 1200 spit braai can be supplied with our powerful 3 burner Counter Top gas grill, giving up to 21 Kw of heat. This is capable of doing normal braaiing easily or can cook a sheep on the spit, in pretty much the same time as doing over charcoal.

### FINISH OPTIONS

These units can be produced with the braai box and inners made in mild steel (painted black) and the frame and the doors made in polished 304 Stainless Steel. This gives a great visual effect and enhanced durability for a small premium in price.

Alternatively the braai can be fully made ( all parts/frame/doors etc, except for the motor & switch) in polished 304 Stainless Steel. Brilliant for coastal applications or where the client wants greater durability or enhanced looks.

NOTE: The steel cupboard doors shown located under the braais above, do not form part of the Braai units.

Optional: Spit & Motor & Stainless Steel Trays



Optional: Spit & Motor



## CHOICE OF CHARCOAL/WOOD OR GAS MULTIFUNCTION BRAAI

Our Multifunction Braai is fully customisable. The following options are available:

### CHOICE OF FUEL

Choose between charcoal/wood or gas. Should your needs change at a later stage, you can easily have the braai converted to the other fuel type by buying the required parts and installing them. Gas grill and charcoal options are designed to easily fit into the braai box, effectively using the available space so that the cooking area is optimised.

### GAS OPTION

The unit comes with a 2-burner Gas Grill. H-shaped burners are heavy duty, and operate in the range of 1 – 7 Kw. This offers a great variation in temperature, suiting multiple cooking techniques.

### CHARCOAL/WOOD OPTIONS

**OPTION A:** This option includes an easy slide ember maker (for a smooth, easy feed of lit charcoal into the tray, enabling uninterrupted cooking for large numbers), a Stainless Steel grid, a light fitting for night cooking, and a charcoal tray c/w ash hole and removable cover.

**OPTION B:** This option does not include a charcoal starter, but features a longer, full length Stainless Steel grid (so more food can be cooked at one time), a light fitting, and a charcoal tray c/w ash hole and removable cover.





**REMOVABLE GATHER AND FLUE OUTLET**

The removable flue gather is attached to the braai body with bolts. This assists installation into an existing brick built chimney, where there is an opening that the braai box can slide into. You have the option to fit the gather and a flue system or to use the as built chimney if it is suitable. The gather is available with either a 300 mm diameter or 200 x 400 mm outlet, giving a choice of circular or rectangular flueing system.

**SPIT MOTOR HOUSING: OPTIONAL MOTOR, SPIT & SKEWERS**

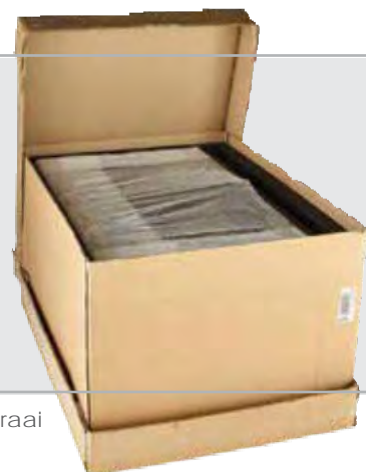
The removable spit motor housing is supplied standard with all multifunction braais, allowing you to choose whether to fit it. The 220 V spit motor and skewers are supplied as an optional extra. Our spit has a robust shaft with 4 skewers, all in Stainless Steel. This will allow you to cook up to 2 joints of meat weighing up to 1,5 kg each.

**STAINLESS STEEL TRAYS: OPTIONAL ON CHARCOAL SYSTEMS**

The large pressed Stainless Steel tray is stylish enough to use as a server, and helps to keep food warm while you continue to cook. The smaller pressed Stainless Steel tray can be used as an ash pan to facilitate easy ash removal from the charcoal tray.

**EASE OF TRANSPORTATION:**

If you are taking this braai as a charcoal unit with the fold down and slide in door, it comes conveniently packaged into a sturdy cardboard box for transport to you wherever you are in the country. If you are taking a gas grill option this will come in a separate box. If you are taking a Deluxe door option this is packaged in a separate sturdy wooden box. All boxes are designed to travel well over long distance, to preserve the contents well and cut down on excess transport costs.



Boxed Charcoal Braai





### DOOR STYLE OPTIONS

The fold-down slide-in door doubles up as a stable work surface. This is the preferred option if you're installing the braai where it will be exposed to rain water. (In this event it is recommended that you paint the braai door and frame in a water-resistant enamel paint).

The deluxe door unit consists of a bolt-on frame with doors opening sideways. There are 2 electrical switches: one for the internal light, and one for the spit motor. This eliminates the need for an external switch. This unit includes a sliding table connected to the braai box for a depth-adjustable work surface, and is ideal for covered patios. Spice and utensil racks are included inside the unit.

Both door options are available in mild steel, painted black; or brushed 304 Stainless Steel.

### BRAAI BOX FINISH OPTIONS

The braai box can be made in mild steel, with choice of doors as specified.

Alternatively, it can be fully made in 304 Stainless Steel (excluding motor, switches and door catches).

Light & Rotisserie switches are built into the frame of the sideways opening doors







## CHARCOAL/WOOD & GAS COMBO BRAAI

Our Combo Braai gives the versatility of being able to braai on either wood/charcoal or gas, or both.

The 1200 mm wide unit comes standard with our No 1 Counter Top gas grill and a charcoal cooking platform that has a full length Stainless Steel grid.

The 1500 mm wide unit gives you a choice of a unit with either our No 1 or No 2 Counter Top grill. If you opt for the No 1 Counter Top, the charcoal section comes with an additional ember maker.

Available in 1200 mm & 1500 mm widths.

## GAS BUILT-IN BRAAI

These built in braai boxes are made in black mild steel complete with an 80 mm flat steel trim. The braai boxes have upper and lower doors. The latter is supported on 2 chains to give a working table in front of the braai.

These units take our Counter Top gas grills, giving all the inherent advantages of our grills:

- High heat output burners
- Large variation in heat output to suit all cooking styles
- Durable construction for low maintenance and long life
- Fat Catcher System enabling low fat cooking

Available in:

- 800 mm width with No 2 Counter Top grill
- 1200 mm width with No 3 Counter Top grill

### FINISH OPTIONS

These units can be produced with the braai box and inners made in mild steel (painted black) and the frame and the doors made in polished 304 Stainless Steel. This gives a great visual effect and enhanced durability for a small premium in price.

Alternatively the braai can be fully made (all parts/frame/doors etc, except for the motor & switch) in polished 304 Stainless Steel. Brilliant for coastal applications or where the client wants greater durability or enhanced looks.





## GAS COUNTER TOP GRILL

This grill is designed for placement on a level platform (concrete, granite, marble, steel or any other non-combustible material on which the grill can stand).

Alternatively, the grill can be built into a structure in such a way that the top of the gas grill is supported by a non-combustible counter top or bracket.

Complete with brushed Stainless Steel canopy over the grill, this creates a stunning visual effect on a covered patio.

The Counter Top grill is available in 1, 2 or 3 burner versions, with grill lengths ranging from 500 mm to 1 100 mm.

### STANDARD FEATURES ON COUNTER TOP, DROP IN AND TROLLEY GRILLS

All our gas grills come standard with:

- Lid, that covers the grill when not in use. On our Counter Top and Drop In units, the lid is hinged to provide a splash-back whilst cooking
- Low fat cooking system
- H shaped burners for high heat output
- Continuous Spark Ignition System for easy lighting

### OPTIONAL FEATURES ON COUNTER TOP, DROP IN AND TROLLEY GRILLS

- Roasting Domes to fit our No 2 & 3 grills to decrease cooking time on normal braaing and to enable the grill to rotisserie, roast or slow cook meat, or to smoke food
- Oven fitted under the grill to increase cooking options
- Flat Braai Plates for frying food
- Stainless Steel Cupboard doors to close space under the Grill

See pages 8, 13 - 15 for details on the many standard and optional features of our gas grills.





## GAS DROP-IN GRILL

These grills are designed to drop into a non-combustible counter top, very much the same as you would a kitchen hob. They make a sleek and stylish option to the more traditional braai look.

Some air needs to be drawn from inside the cupboard for the combustion process to work efficiently. As our units have high capacity burners, each capable of producing 7 Kw of heat, the air requirement will be higher than for smaller heat output units. We recommend that allowance be made for good air ingress in the cupboard space. This could take the form of a louvre in the cupboard door, in the kick plate and cupboard base, or by means of a louvre or airbricks in the side or rear walls.

Unlike kitchen hobs, Drop-In gas grills produce their heat below the surface of the counter. Allowance needs to be made in the cupboard design that no combustible materials are located either touching or within 30 mm of the gas grill.

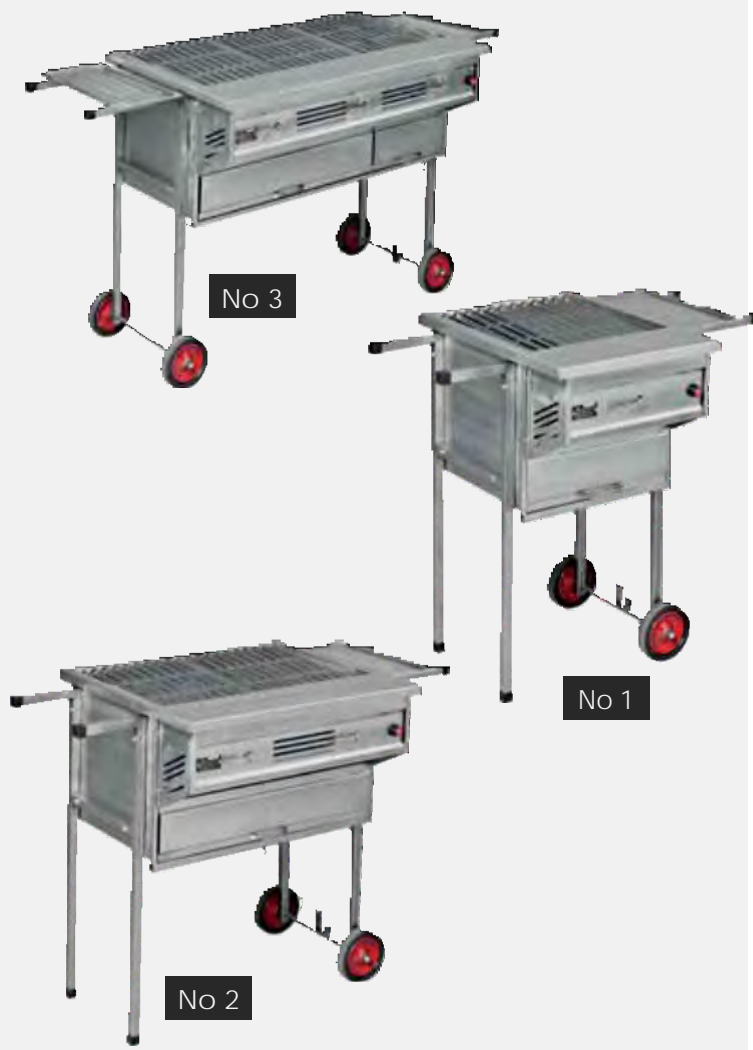
As with all our gas grills, these units have a drip tray at the bottom of the unit to catch any fat that drops through the burner area. It is important that this tray can be accessed and cleaned periodically. See page 18 for details of its location.

The Drop-In gas grill is available in 1, 2 or 3 burner versions, with grill lengths ranging from 700 mm to 1 300 mm.

## GAS ROASTING DOME

Our Roasting Dome can fit onto either the Counter Top, Drop-In or Trolley Braai versions of our No 2 and 3 grills. A double skin lid keeps the temperature down on the outer surface. This keeps the brushed Stainless Steel looking good, even after heavy use. A built-in thermometer is included for greater control in the cooking process when the Roasting Dome is used for roasting or smoking food. Simply close the Dome when cooking thicker cuts of meat, thereby reducing cooking time. Spit options can be added to enable you to cook rotisserie style, in minimal time. See page 15 for spit and basket options.





Spit with 4 rotating baskets

## GAS TROLLEY BRAAI

Our Trolley Braais use our robust Counter Top gas grills, complete with ovens, and are mounted on a sturdy trolley.

Our Trolley Braais are supplied with a loose lid that covers the braai when not in use, and moves from the top of the grill to a rear mounting bracket to act as a wind break when in use.

A 9 kg gas bottle attaches to the trolley, making the unit easily moveable.

### OPTIONS

- PVC cover for where unit is left in the rain
- Roasting Dome
- Braai Plate

See pages 8, 13 -15 for these details.

## GAS DRUM BRAAI

This mobile gas cooker is ideal for the person who entertains a lot or for the professional caterer.

The unit comes standard with a 220 V motor capable of handling 25 kg of meat, and a Stainless Steel sheep spit with 3 meat brackets for easy securing of the carcass.

The infrared ceramic burner is equipped with a flexible hose & regulator, enabling you to simply attach a 9Kg gas bottle to the trolley, connect the regulator and start cooking.

### OPTIONS

- 50 kg motor for use with heavier loads
- Spit Basket capable of holding chicken flatties, wors and lamb chops for easy cooking
- Deep Basket capable of holding up to 20 chickens or equivalent size roasts
- 4 rotating baskets on a spit shaft enabling up to 40 chickens or equivalent sized roasts to be rotisserie cooked.



## CONVERSION GAS GRILL

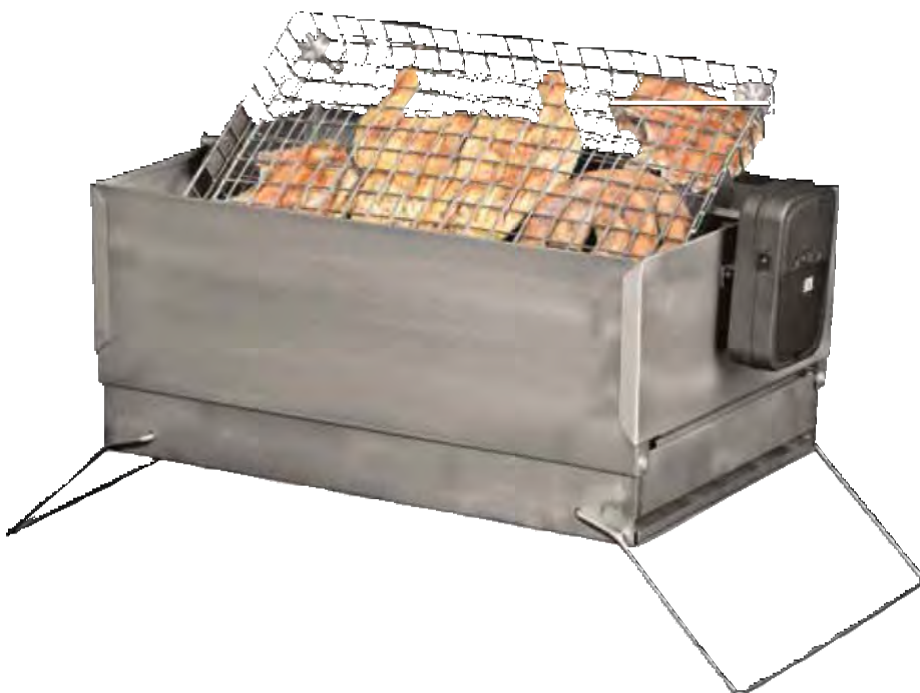
This is a 2-burner gas grill, designed for the easy conversion of most 1 000 mm wide built-in braais from charcoal to gas. In most cases the process is as simple as sliding out the existing charcoal tray and grill, sliding this one in and connecting it to a 9 kg gas bottle.

Refer to page 19 for the gas grill dimensions to see how easily this unit can convert your built-in charcoal braai.



## PORTABLE SPIT GRILLER

This portable braai is a must for outdoor enthusiasts. It comes in a briefcase-size pack measuring 545 mm x 350 mm x 85 mm, and opens out into a charcoal braai with a motorised rotisserie basket for easy cooking while fishing, on a picnic or on a weekend away. The addition of a charcoal starter makes lighting your braai, child's play!



Packed Griller



Charcoal Starter





## EXTRACTION SYSTEMS WALL MOUNTED CANOPIES

Our Multibraai Canopy range is the culmination of years of experience and artful extraction system design. We have the most powerful extractor fan for domestic use, which allows the canopy to be placed about 900 mm above the gas grill's surface. This translates to it being placed about 1,8 m above floor level, keeping the canopy comfortably out of the way of people's heads.

Available in widths of 1 000 mm, 1 250 mm and 1 500 mm, our canopies can be made out of either 304 brushed Stainless Steel, or mild steel which is painted matt black. Standard features include 2 swivel lights for optimal lighting when cooking, and removable Stainless Steel mesh filters for easy cleaning.

The canopy can be installed with a vertical flue system through the roof, using either steel flues or aluminium ducting. It can also be supplied with a rear horizontal exit that can be flued or ducted to the outside.

If the canopy is positioned on an external wall, installation is simple: the fan is mounted inside a short pipe located in the external wall, and a louvre box on the outside conceals and protects the fan.

## ISLAND STYLE CANOPIES

In the event that there is no rear wall to attach the canopy to, our Island Style Canopy can be supported from the ceiling. These canopies come standard with removable Stainless Steel mesh filters for easy cleaning, and 2 swivel lights for optimal lighting when cooking. They are available in widths of 1 000 mm and 1 250 mm.

### CUSTOM DESIGN OPTIONS:

Should our standard canopies not work for your application, we are able to custom design and manufacture.





## FILTER FRAMES



Filter Frames are ideal in situations where there is an existing brick chimney used by a gas grill, but where the smoke and fumes are not being extracted adequately. The custom-made Filter Frame is mounted into the brick opening above the gas grill to catch the grease, while an electrical fan is mounted at the top or rear of the chimney to help extract the fumes.

Our frames come standard with 2 swivel lights for optimal lighting when cooking, as well as removable Stainless Steel mesh filters for easy cleaning.

See page 1 for image of a filter frame installed.

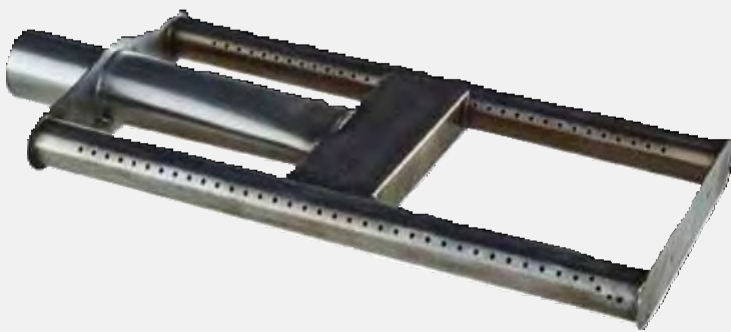


# GAS GRILL FEATURES AND ACCESSORIES

## H BURNER



For many years our gas grilles have been fitted with these heavy duty cast iron burners. These give a heat output up to 7 Kw, the most powerful on the South African market, enabling a huge range of heat to suit any cooking style. With thick cast iron they have given excellent burner life with the occasional clean.



After intensive research we have decided that we will be discontinuing making these burners in cast iron and have commenced making these in thick gauge 304 Stainless Steel. This thick Stainless Steel will give an equally impressive life span to the burner, but with its high tolerance to rusting the Stainless Steel burners will require less cleaning than the cast iron.



## V-SHAPED GRILL & FAT CATCHER

This unique grill system drains 75% of the fat from the cooking meat away into an easily removable fat catcher. It allows the remainder of the fat to drop into the hot combustion area where it can burn and give your food that great braai smoke flavour. The reduced amount of fat burning means less flare up (flames from the fat burning) and less risk of burning the cooking meat. This system is particularly useful when cooking fatty meats such as chicken, chops and spare ribs. If you do not want to drain the fat away from the cooking area, our grills are reversible allowing them to operate as a conventional grill.



## CONTINUOUS SPARK IGNITOR

The continuous spark ignition systems used on our gas grills give a continuous spark to the first burner, ensuring an easy light. Gas dribble tubes igniting from the lit burner light the other burners.

The small penlight battery used to power the ignitor is easily replaced (when necessary) from the front of the grill.



## GAS GRILL ROCKS

All No 1, 2 and 3 Gas Grills (supplied without Roasting Domes) come standard with a thick layer of rocks above the burners. These rocks take about 10 minutes to heat to a point where they're ready to be used for cooking. They provide excellent heat retention. Gas Grill Rocks will need to be removed from time to time, to wash the fat and dust off them, and to replace.



## FLAME TAMER PLATES

The 304 Stainless Steel Flame Tamer Plates are situated just above the burners, and are designed to build up the heat from the flames, and to distribute the heat evenly across the cooking surface. Plates heat up quickly, and cooking can commence shortly after the burners are lit. Temperature drops quickly when the burner is turned down, giving easy variability in cooking temperatures. For peak performance, Flame Tamer Plates come standard on all gas grills supplied with Roasting Domes, as well as on all Multifunction/Conversion gas grills. The purchaser is free to specify whether Flame Tamer Plates are required instead of Rocks on our other gas grills, at no extra cost.



## WARMING DRAWER/OVEN

Our No 1 to 3 Gas Grills can be supplied as a traditional grill or with the added benefit of an oven under the grill. The oven uses the heat from the gas burners to keep plates or cooked food warm, or with the removal of the upper drip tray to maximise heat in the oven, higher temperature cooking can be done.



## BRAAI PLATE

The Braai Plate is ideal for cooking breakfast, stir fries, fish or prawns on the grill. It is made using 4,5 mm thick 3CR12, and is available in 2 sizes. The smaller Braai Plate comes with 4 egg rings, and the larger size with 8 egg rings.





Spit & Skewers



Spit Basket



Deep Spit Basket

## ROASTING DOME/ SPIT OPTIONS

Our Roasting Dome fits on the No 2 or 3 Gas Grill, and will help speed up the braaiing of meat, enable you to roast or slow cook meat or smoke food. Add a Spit/Basket option to cook fabulous rotisserie chicken or joints of meat!

## SPIT AND SKEWERS

Prepare 2 joints of meat on the rotisserie, each weighing up to 1,5 kg, with ease.

## SPIT BASKET

Cook those chicken flatties, lamb chops or wors with minimal effort. Great when the host wants to spend time interacting with his guests!

## DEEP SPIT BASKET

Prepare several small roasts at the same time.



## 304 STAINLESS STEEL FRAME & DOORS BUILT-IN BRAAIS

For enhanced visual appeal, a frame and doors in polished 304 Stainless Steel can be installed on the bodies of mild steel Built-In Braai Boxes. This addition is truly beneficial considering the added durability it offers. Available on Deluxe, Spit, Combo, Multifunction, Built-In Gas and Gas Spit Braai models.



## COMPLETE 304 STAINLESS STEEL BUILT-IN BRAAIS

For the ultimate style statement, this durable option consists of the braai boxes, doors, frames and inner working parts all made using polished 304 Stainless Steel. The only exclusions are the electrical motor and switches. Available on Deluxe, Spit, Combo, Multifunction, Built-In Gas and Gas Spit Braai models.



## STAINLESS STEEL CUPBOARD DOORS

Both the Counter Top grill and Drop In grill have an area under the grill which lends itself to the creation of a cupboard. This can be done with the addition of cupboard doors, in the style to match that of the Gas Grill. 304 Stainless Steel doors and a frame are manufactured to close off this space, making it super useful.



## CIRCULAR FLUES

There is a growing requirement for exposed circular flues on braais, with the exposed flue making a design statement.

We have developed our 300 mm diameter, thick walled circular flues and cowls to meet these needs.

The cowl is designed to not only look good but also prevent birds entering the chimney and in windy environments to help ease the smoke out of the chimney for a better draw.

Available in mild steel painted black or in 304 polished Stainless Steel.



Domestic Cage



Commercial Cage

## GAS CAGES

The use of gas is increasingly popular as people prefer to distance themselves from billing issues and disrupted electricity supply problems. South African National Standards require that any gas in excess of 100 kg be stored in a lockable steel cage. Even if the amount stored for domestic use is less than 100 kg, it makes sense to safely keep the bottles and gas regulator out of the way of children or staff.

We supply various size cages which accommodate gas as small as a single 9 kg bottle, right up to multiple 48 kg bottles. These cages are created to stand on a flat surface (typically a concrete base), raised out of the way of storm water, and designed to be bolted to a rear brick wall.

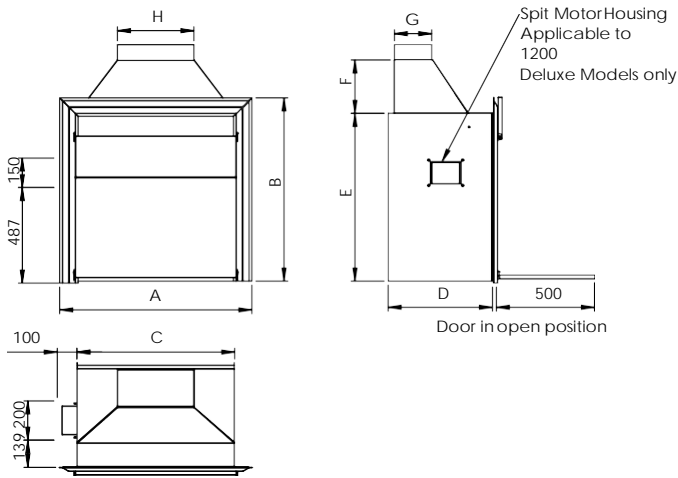
The Domestic Cage is for domestic dwellings where there is no public access and there is less than 100 kg of gas.

The Commercial Cage is for installations with greater than 100 kg of gas.

Cages are fully compliant with the requirements of SANS 10087-1 2013

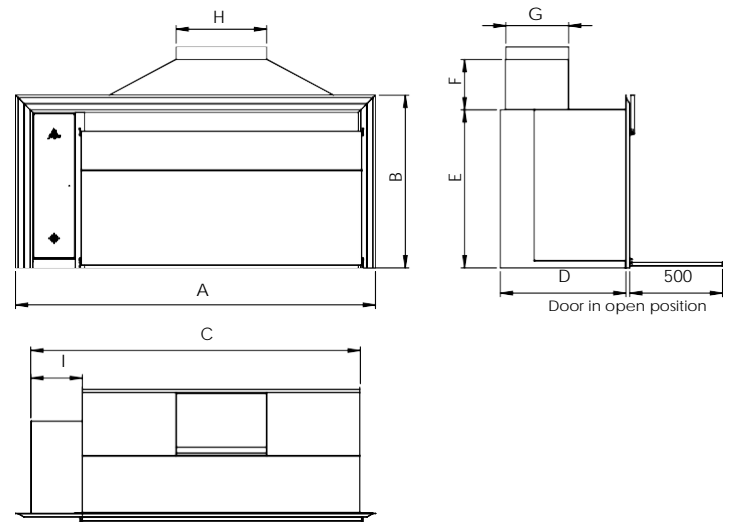


## DELUXE CHARCOAL BRAAIS



Product	A	B	C	D	E	F	G	H
1200 Deluxe Braai	1365	930	1205	530	855	310	350	500
1500 Deluxe Braai	1665	930	1505	680	855	310	350	500

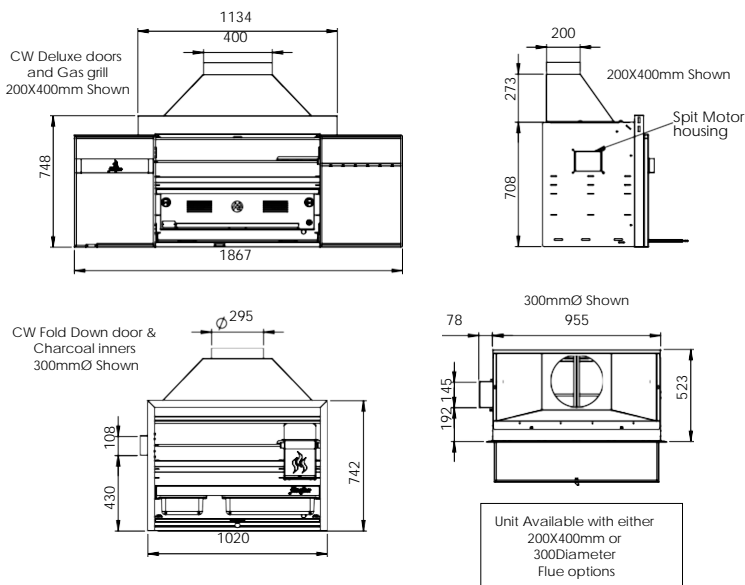
## SPLIT BRAAIS



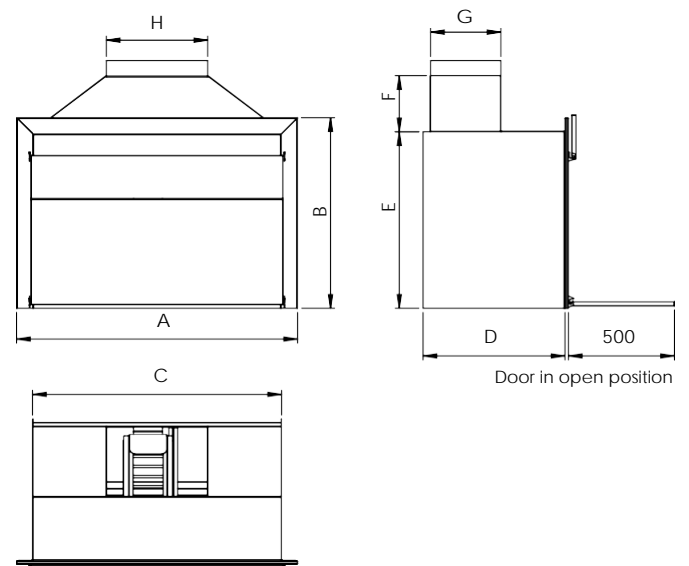
Product	A	B	C	D	E	F	G	H
1200 Spit Braai	1650	980	1485	680	855	310	350	500
1500 Spit Braai	1950	980	1785	680	855	310	350	500

Product	A	B	C	D	E	F	G	H
1200 GasSpit Braai	1650	1075	1485	680	1000	310	350	500

## MULTIFUNCTION BRAAIS

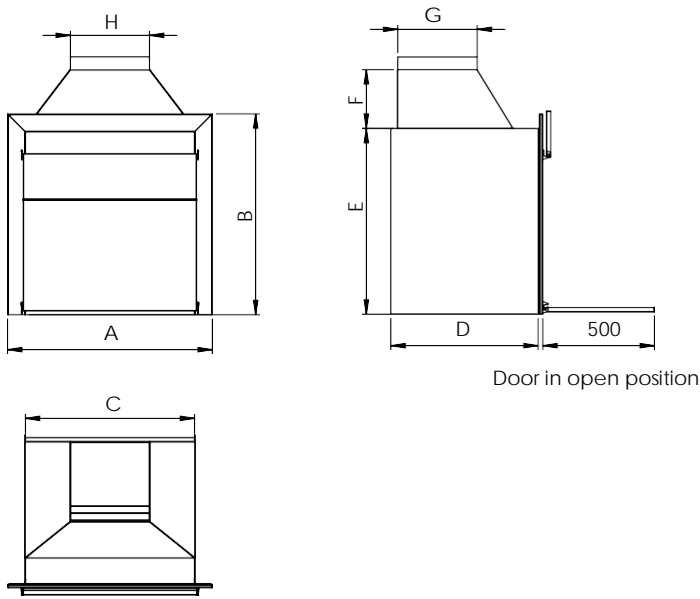


## COMBO BRAAIS



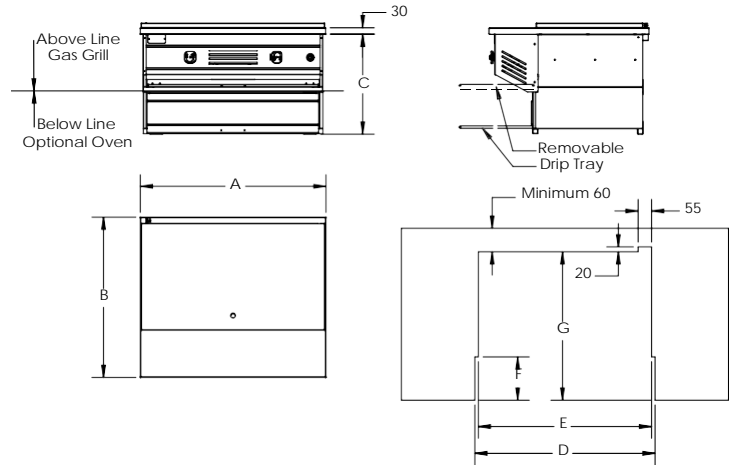
Product	A	B	C	D	E	F	G	H
1200 Combo Braai	1360	920	1205	680	855	270	350	500
1500 Combo Braai	1660	920	1505	680	855	270	350	500

## BUILD IN GAS BRAAIS



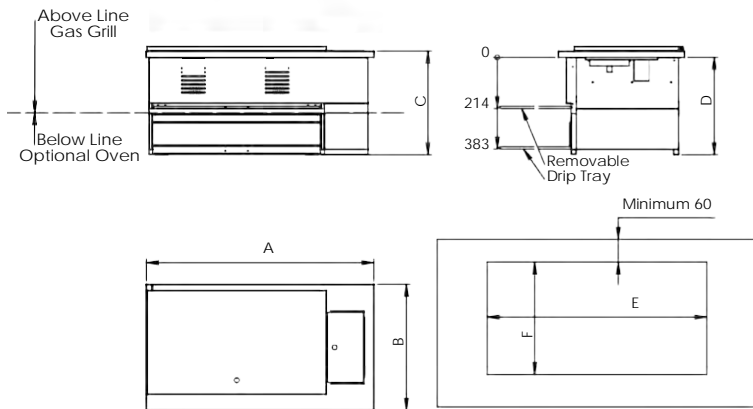
Product	A	B	C	D	E	F	G	H
800 Build in Gas Braai	945	920	785	680	855	270	370	370
1200 Build in Gas Braai	1295	920	1135	680	855	270	370	370

## COUNTER TOP GAS GRILLS



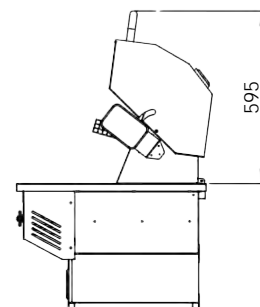
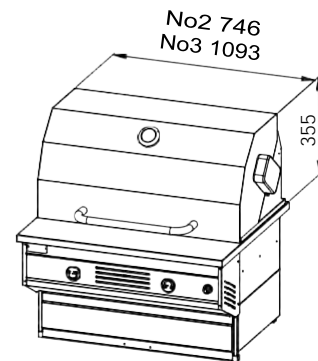
Product	Cut out sizes						
	A	B	C	D	E	F	G
No1 With Oven	500	650	400	485	437	204	627
No2 With Oven	760	650	400	745	717	204	627
No3 With Oven	1100	650	400	1085	1062	204	627
No1 No Oven	500	650	225	485	437	204	627
No2 No Oven	760	650	225	745	717	204	627
No3 No Oven	1100	650	225	1085	1062	204	627
<b>Grilling Area</b>							
No1	420 x 420						
No2	700 x 420						
No3	1045 x 420						

## DROP IN GAS GRILLS



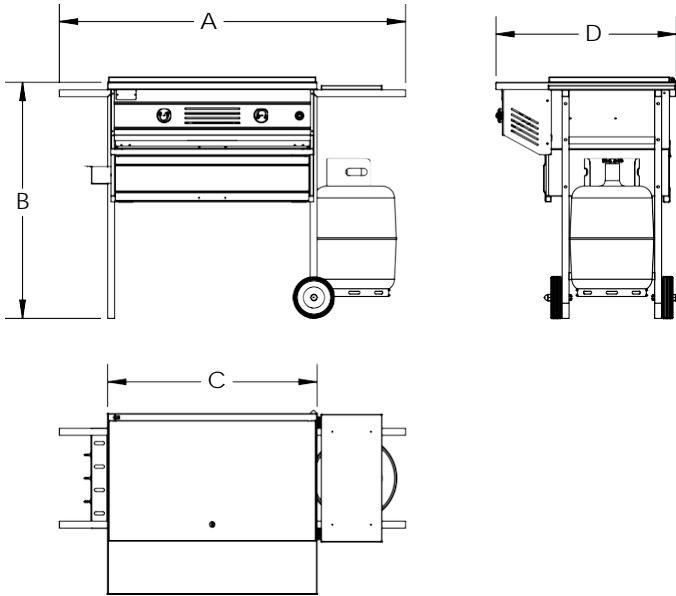
Product	Cut out sizes					
	A	B	C	D	E	F
No1 With Oven	700	525	430	400	677	480
No2 With Oven	950	525	430	400	927	480
No3 With Oven	1300	525	430	400	1277	480
No1 No Oven	700	525	225	225	677	480
No2 No Oven	950	525	255	225	927	480
No3 No Oven	1300	525	255	225	1277	480
<b>Grilling Area</b>						
No1	420 x 420					
No2	700 x 420					
No3	1045 x 420					

## MULTIBRAAI ROASTING DOME



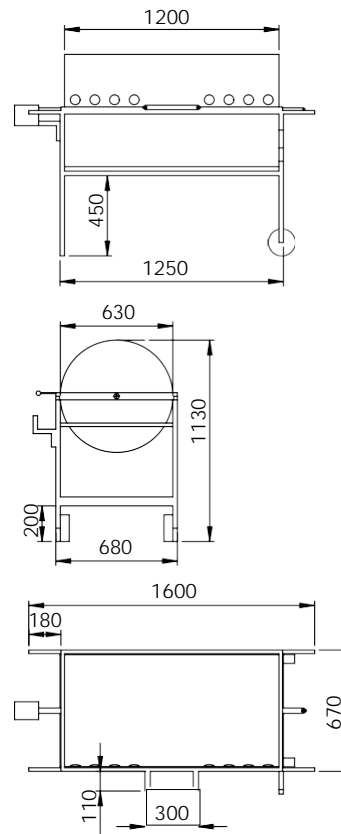


## TROLLEY BRAAIS

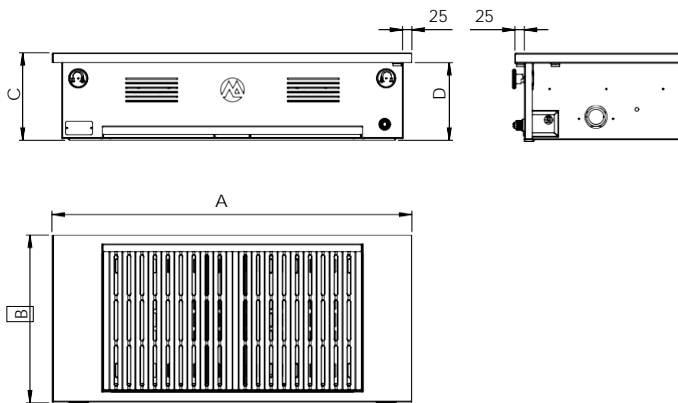


Product	A	B	C	D
No1 Trolley Braai	980	850	500	650
No2 Trolley Braai	1250	850	760	650
No3 Trolley Braai	1740	850	1100	650
Grilling Area				
No1	420 x 420			
No2	700 x 420			
No3	1045 x 420			

## DRUM BRAAI



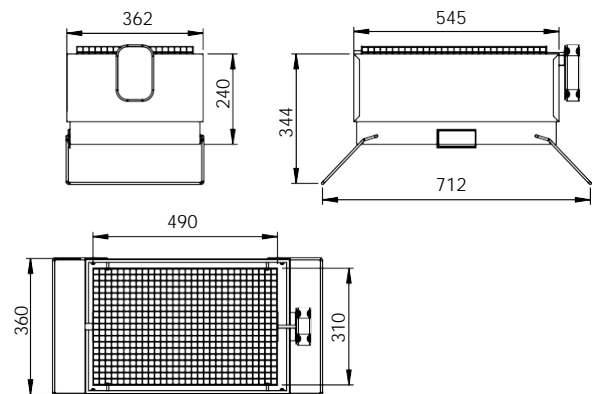
## MULTIFUNCTION & 1000 CONVERSION GRILLS



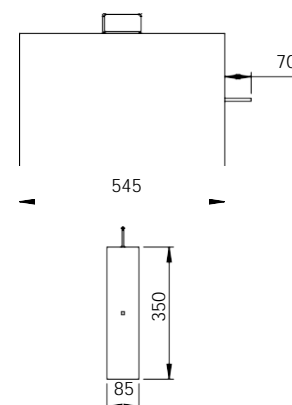
Product	A	B	C	D
Multi Braai 1000 Conversion	962	447	233	207
Multi Braai Multi Function	928	447	233	207
Grilling area				
695 x 390				

## PORTABLE SPIT GRILLER

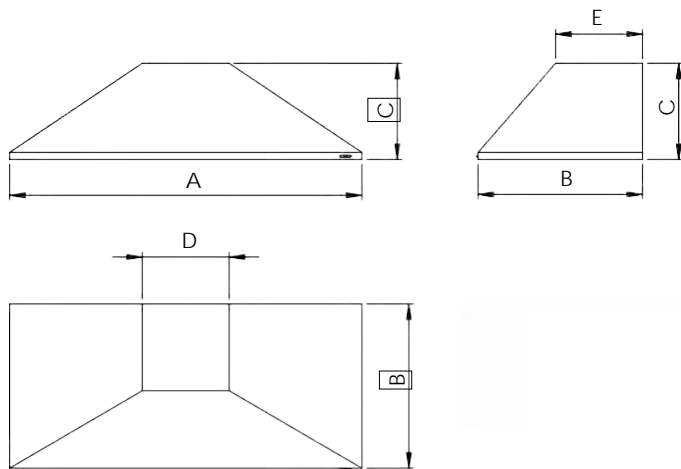
DIMENSIONS WHEN OPERATING



DIMENSIONS WHEN PACKED

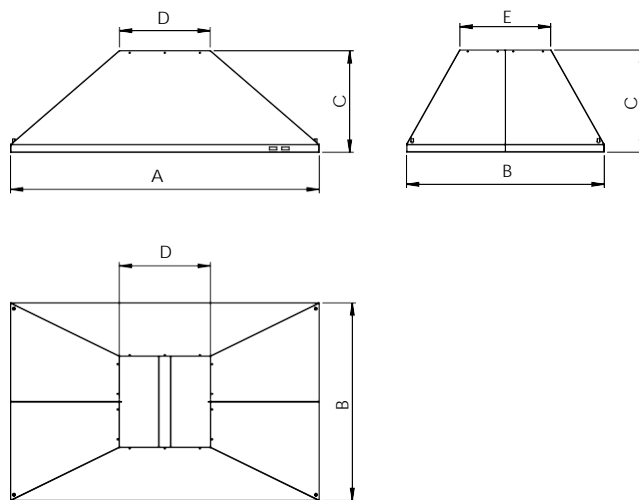


## WALL MOUNTED CANOPIES



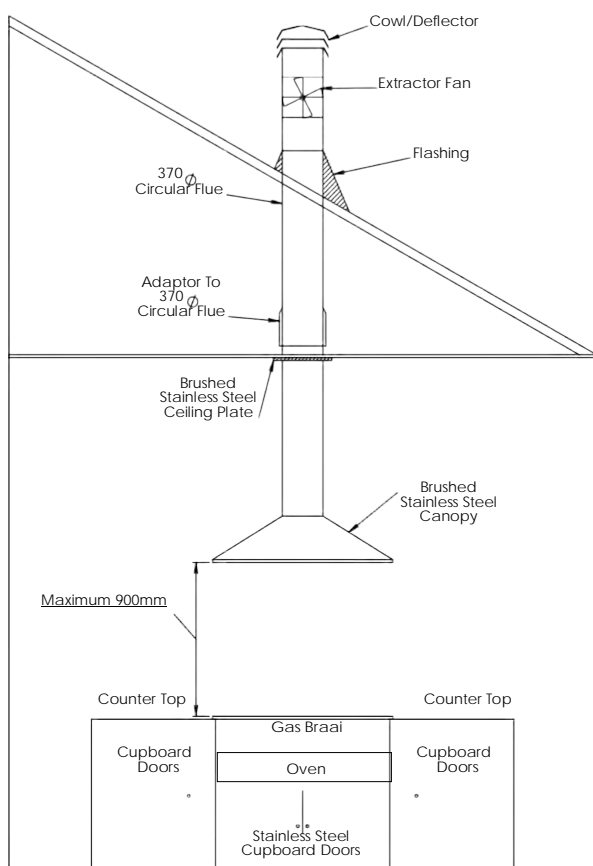
Product	A	B	C	D	E
1000 Canopy	1000	700	410	370	370
1250 Canopy	1250	700	410	370	370
1500 Canopy	1500	700	410	370	370

## ISLAND STYLE CANOPIES

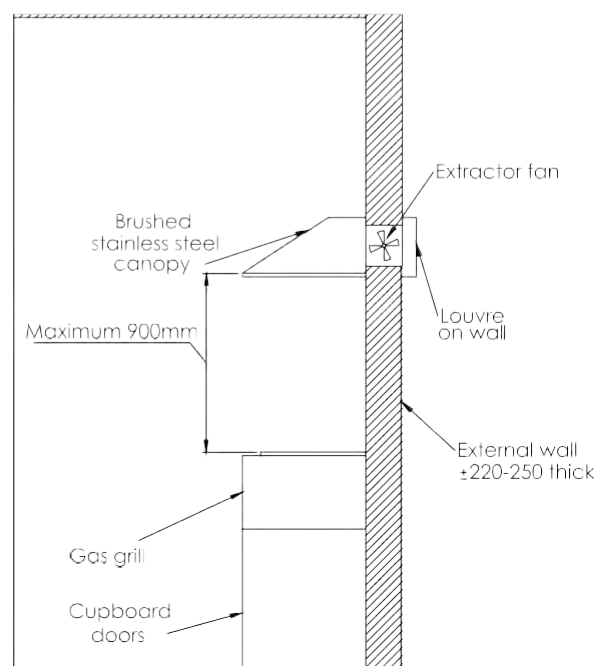


Product	A	B	C	D	E
1000 Island Style Canopy	1000	800	410	370	370
1250 Island Style Canopy	1250	800	410	370	370

## TYPICAL TOP EXIT CANOPY INSTALLATION

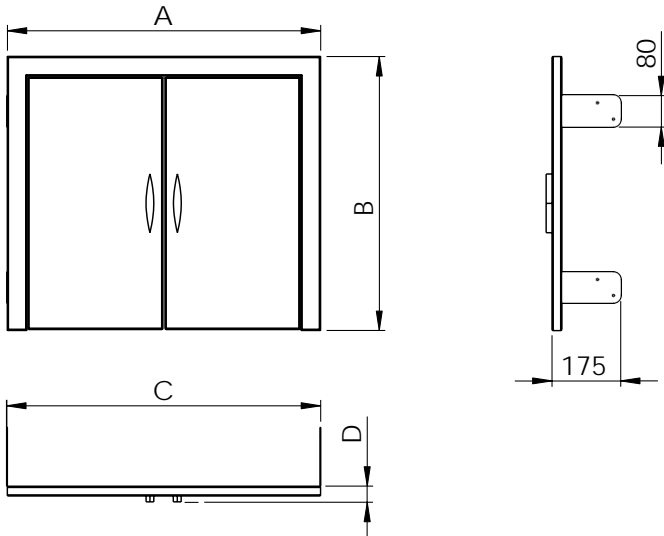


## TYPICAL REAR EXIT CANOPY INSTALLATION



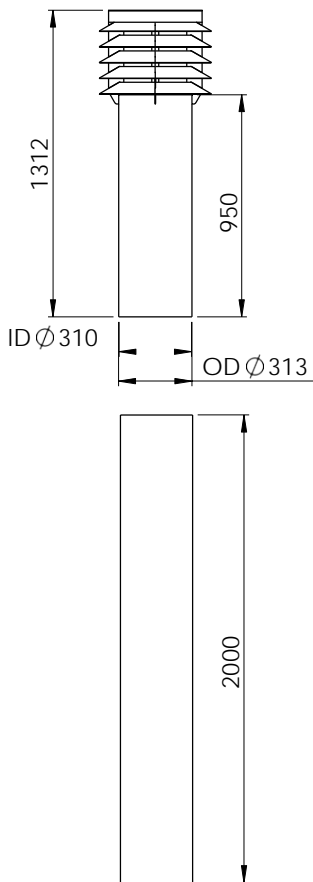


## CUPBOARD DOORS UNDER COUNTER TOP / DROP IN GAS GRILLS

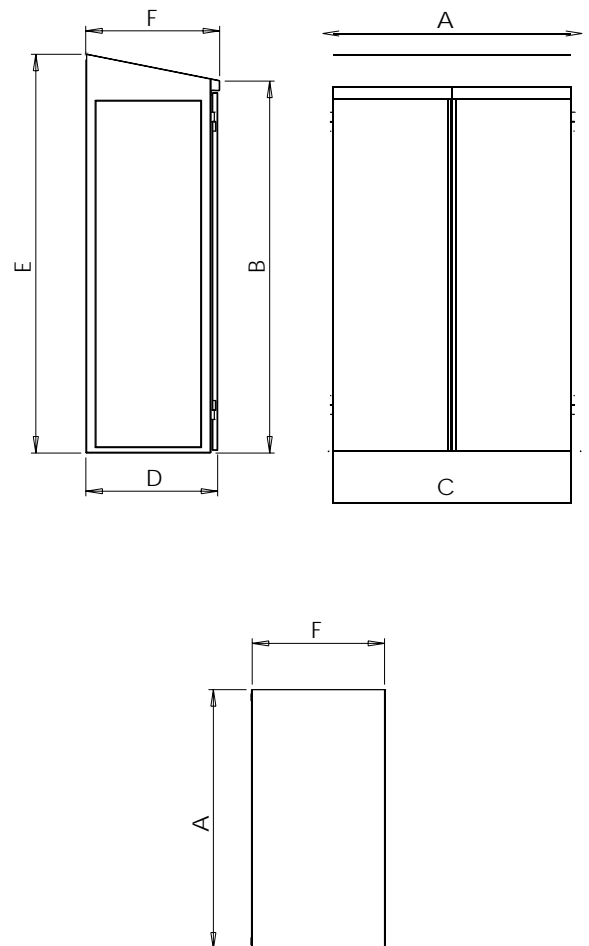


Counter Top Models	A	B	C	D
No 2 No Oven	735	640	735	45
No 2 With Oven	735	500	735	45
No 3 No Oven	1077	640	1077	45
No 3 With Oven	1077	500	1077	45
<b>Drop in Models</b>				
No 2 No Oven	950	850	950	45
No 3 No Oven	1300	850	1300	45

## CIRCULAR FLUES & COWLS



## GAS CAGES



Product	A	B	C	D	E	F
9kg Gas Cylinder Cage Single	500	692	450	460	797	460
9kg Gas Cylinder Cage Double	1040	692	1010	460	797	460
19kg Gas Cylinder Cage Single	500	1090	450	477	1200	487
19kg Gas Cylinder Cage Double	1040	1090	1010	477	1200	487
48kg Gas Cylinder Cage Single	560	1495	525	530	1600	530
48kg Gas Cylinder Cage Double	1040	1495	1010	530	1600	530



Looking to heat your home?

Why not look at our range of high efficiency fires at [www.infinitifires.co.za](http://www.infinitifires.co.za)





## WARRANTY

Firefox warrants the soundness of their steel braai boxes and frames from defects in materials or workmanship for a period of 10 years from date of purchase.

Firefox warrants the gas components in their gas grills for a period of 3 years from date of purchase.

To validate the Warranty the customer must produce proof of purchase so that the date can be verified.

The Warranty does not cover rusting. The majority of our products are made of mild steel that will rust under corrosive conditions.

The Warranty will not apply if:

- The customer cannot provide proof of purchase
- The Gas Grill has not been installed by a Registered Gas Fitter, where it is deemed a Fixed Appliance in terms of SANS 10087-1
- The unit was not installed in accordance with the manufacturer's instruction book
- The damage was caused by the unit operating outside of its normal working state
- Gas units were not serviced in accordance with the recommended servicing

If a claim arises under this Warranty, Firefox will at its sole discretion either repair or replace the affected unit.

As Firefox does not do the installation of these units, it accepts no responsibility for the installation thereof. Firefox will not be liable for any consequential damage arising out of the use of its units.



Unity Garage Doors and Fireplaces  
18 Pres Brand Street  
Bethlehem 9701  
Tel: 058 303 0390  
Fax: 086 731 6552  
[info@unitydoors.co.za](mailto:info@unitydoors.co.za)

---

Firefox continues to develop and improve its products. It reserves the right to change specifications without prior notification.

---